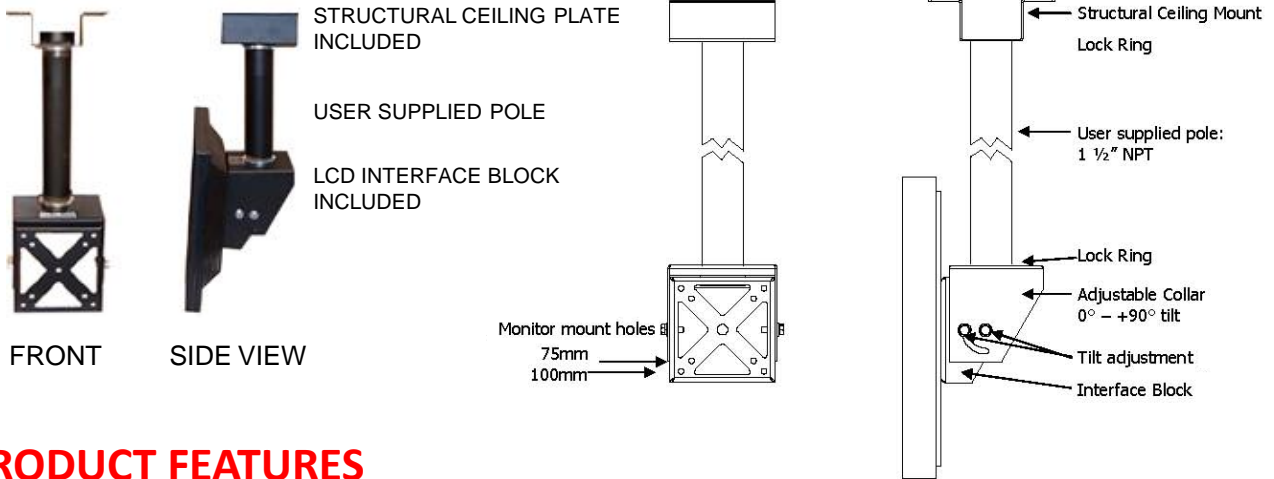


## CEILING MOUNT FOR 75-100mm LCD DISPLAYS

### SPECIFICATIONS



### PRODUCT FEATURES

- INCLUDES CEILING PLATE AND VESA INTERFACE ADAPTOR BLOCK
- MOUNT 75mm-100mm VESA DISPLAYS to 40Lbs
- TILT TO 90 degrees
- ATTACHES TO STANDARD 1.5" THREADED POLE
- EXCELLENT CABLE MANAGEMENT THROUGH THE POLE
- RUGGED BLACK POWDERCOAT FINISH
- THREADED LOCK RINGS INCLUDED FOR SAFETY

WGT 5.2Lb  
CTN DIM 9"x8"x4"

### INCLUDED WITHIN KIT

- 75mm/100mm LCD INTERFACE ADAPTOR BLOCK
- STRUCTURAL CEILING MOUNT PLATE
- 2 SAFETY LOCK RINGS
- ASSORTED M4 SCREWS FOR VESA ATTACHMENT
- INSTALLATION GUIDE

### ARCHITECTURAL SPECIFICATIONS

The Flat Panel Ceiling Mount shall be FEC Model FLCD-C1, which contains the VESA Interface Block and ceiling plate, and allows tilt to 90degrees . It shall be installed at all locations as listed per plans. Assembly and install shall be done according to the Manufacturer's install guide. by a professional installer with proper assistance.

Specifications subject to change without notice.