

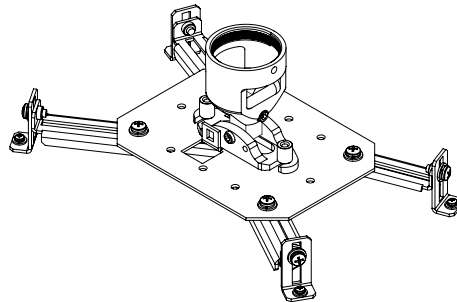
## Universal Projector Mount

### FECK-Flex

#### Features

- The Flex-Mount consists of a steel interface plate with four adjustable arms to position over the projectors' mounting holes.
  - The unit includes two sets of adjustable arms - short and long for different configurations
  - Each arm has vertical adjustment to compensate for differing heights at mount points
  - Superior to a ball joint design - pitch and tilt can be adjusted independently
  - Can be flush mounted with enclosed ceiling plate or attached to a 1 1/2" NPT schedule 40 pipe
  - Quick release for easy projector service
- 
- 8" w x 6" d x 4.5" h
  - Black anodized finish

List price: \$ 240



#### Specifications

- +/- 20° tilt, +/- 20° pitch, +/- 360 yaw
- Maximum projector hole spacing: 15" x 13"
- Minimum projector hole spacing: 5" x 6" triangle  
6" x 8" square
- Maximum vertical compensation: 1.5"
- (4) Short arms: 4.0"
- (4) Long arms: 6.3"
- Mounting hardware kit includes 4 each of:  
3 x 12mm, 4 x 12mm, 5 x 12mm, 6 x 12mm

