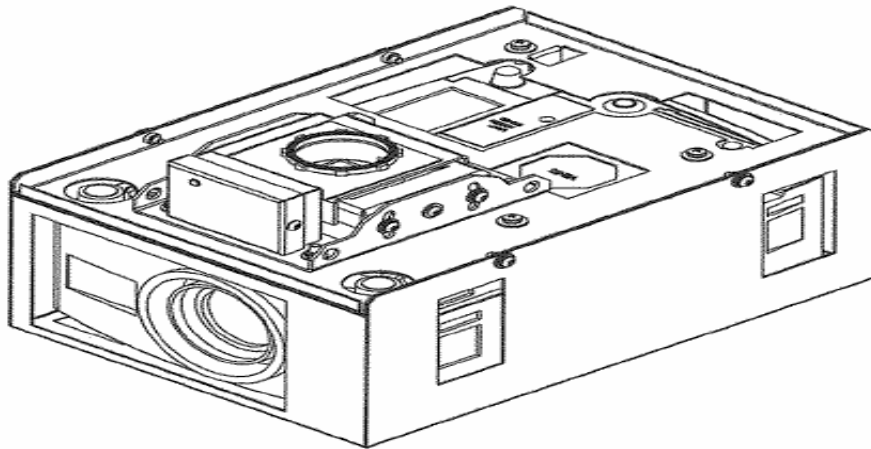


FEC'S PROJECTOR PROTECTOR



PICTURE IS FOR REFERENCE ONLY

NEED EXTRA PROTECTION?

- METAL CASE TO PROTECT THE PROJECTOR'S EXTERIOR.
- CUSTOM DESIGNED FOR EACH SPECIFIC PROJECTOR MODEL.
- EXTRA PROTECTION FROM FLYING OBJECTS AS IN GYM APPLICATIONS.
- METAL CASE MAKES A GREAT VISUAL ANTI-THEFT DETERRANT
- FEC HAS A LARGE LIBRARY OF PROJECTOR SPECS ON FILE.
- FEC CAN ALSO SUPPLY ADJUSTABLE POLES AND CEILING PLATES

JUST SPECIFY THE PROJECTOR YOU NEED TO PROTECT

LP \$495.00